

9336L-9340

9336LNY-9340NY



	Aluminium
	2500 mm
	Stainless steel rope (std)
	Dyneema rope (type NY)
	0.5 - 14 kg

- Rugged construction - cast aluminium body
- Stainless Steel rope
- Optional *DYNEEMA rope (see type 'NY')
- Adjustable capacity
- Safety device to prevent load falling in event of spring failure (>3kg)
- Safety suspension
- Adjustable stroke limiting device
- Anti-friction cable guide
- Inert spring drum assembly
- Polyamide thimbles



Opt. 32952
Flexible cables holder (Max. load capacity 25kg)

9346L-9350

9346LNY-9350NY

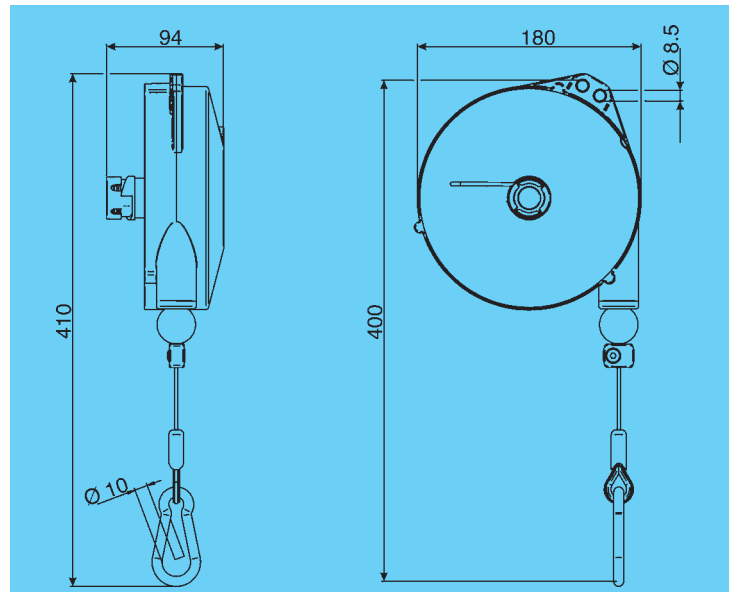
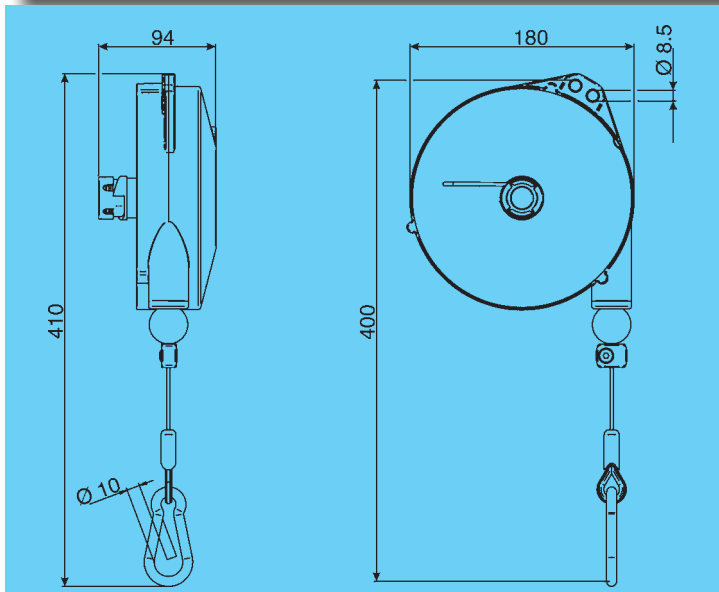


	Aluminium
	2500 mm
	Stainless steel rope (std)
	Dyneema rope (type NY)
	0.5 - 14 kg

- Rugged construction - cast aluminium body
- Stainless Steel rope
- Optional *DYNEEMA rope (see type 'NY')
- Adjustable capacity
- Safety device to prevent load falling in event of spring failure (>3kg)
- Safety suspension
- Adjustable stroke limiting device
- Anti-friction cable guide
- Inert spring drum assembly
- Polyamide thimbles



These balancers are equipped with a device enabling to stop the stroke by carrying out a simple operation on the load and with a device that disables it.



Item	9336L 9336LNY	9336 9336NY	9337 9337NY	9338 9338NY	9339 9339NY	9340 9340NY
kg	0,5 - 2	2 - 4	4 - 6	6 - 8	8 - 10	10 - 14
kg	3,14	3,14	3,30	3,36	3,43	3,58

Item	9346L 9346LNY	9346 9346NY	9347 9347NY	9348 9348NY	9349 9349NY	9350 9350NY
kg	0,5 - 2	2 - 4	4 - 6	6 - 8	8 - 10	10-14
kg	3,14	3,14	3,32	3,38	3,48	3,62