

## 9354 - 9359



	Aluminium
	2000 mm
	Stainless Steel
	4 - 25 kg



- Ribbed and sealed construction in aluminium alloy
- Stainless steel rope
- Adjustable capacity by worm screw
- Safety suspension
- Safety device against load dropping due to the spring breakage (capacity >3kg)
- Upper rotary suspension with safety hook
- Locking device to block the load at any height
- Adjustable stroke limiting device
- Taper drum rotating on ball bearings
- Cable guide in antifriction material
- Rotary upper hook with ball bearing
- Inert spring drum assembly
- Option F - Brake device - see below for details

### Option F Brake device

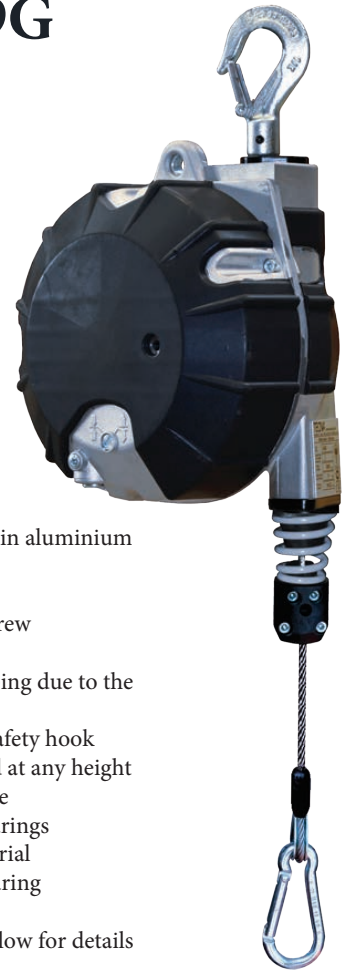
The balancer is equipped with a friction/brake which controls the rotation speed of the drum. This option is feasible when placing a new order while it is not possible to assemble this device on balancers already installed.



## 9354G - 9359G



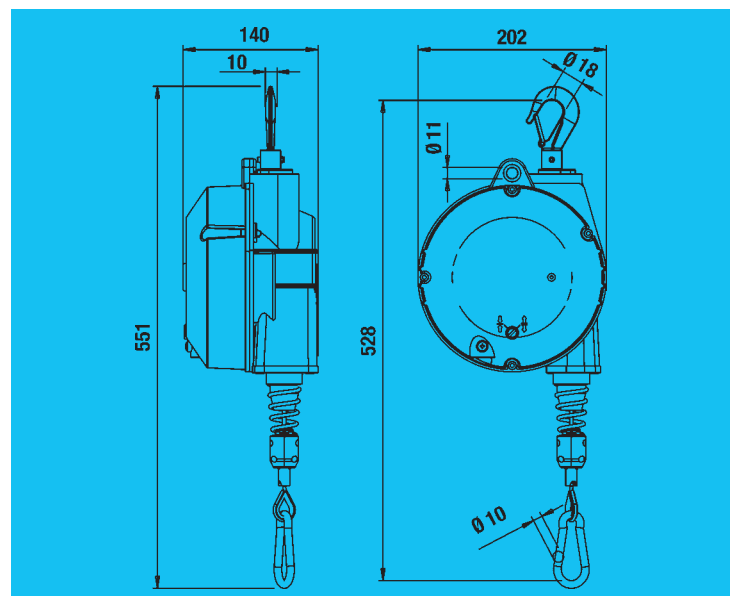
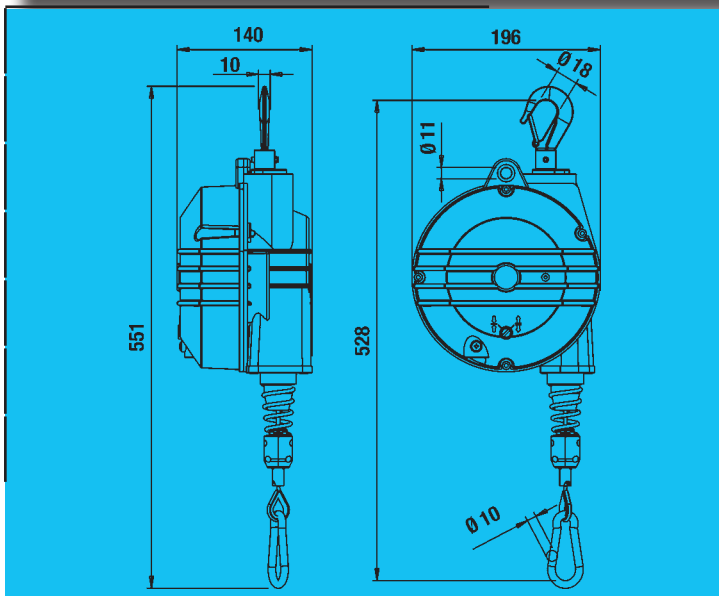
	Aluminium/Rubber
	2000 mm
	Stainless Steel
	4 - 25 kg



- Ribbed and sealed construction in aluminium alloy with rubber protection
- Stainless steel rope
- Adjustable capacity by worm screw
- Safety suspension
- Safety device against load dropping due to the spring breakage (capacity >3kg)
- Upper rotary suspension with safety hook
- Locking device to block the load at any height
- Adjustable stroke limiting device
- Taper drum rotating on ball bearings
- Cable guide in antifriction material
- Rotary upper hook with ball bearing
- Inert spring drum assembly
- Option F - Brake device - see below for details

### Option F Brake device

The balancer is equipped with a friction/brake which controls the rotation speed of the drum. This option is feasible when placing a new order while it is not possible to assemble this device on balancers already installed.



Item	9354	9355	9356	9357	9358	9359
kg	4 - 7	7 - 10	10 - 14	14 - 18	18 - 22	22 - 25
kg	4,94	5,30	5,67	6,26	5,89	6,53

Item	9354G	9355G	9356G	9357G	9358G	9359G
kg	4 - 7	7 - 10	10 - 14	14 - 18	18 - 22	22 - 25
kg	5,58	5,93	6,31	6,90	6,53	7,17