

## 9401 - 9405

## 9431 - 9433

	Aluminium	
	2500 mm	9401 - 9405
	3000 mm	9431 - 9433
	Stainless Steel	
	15 - 60 kg	

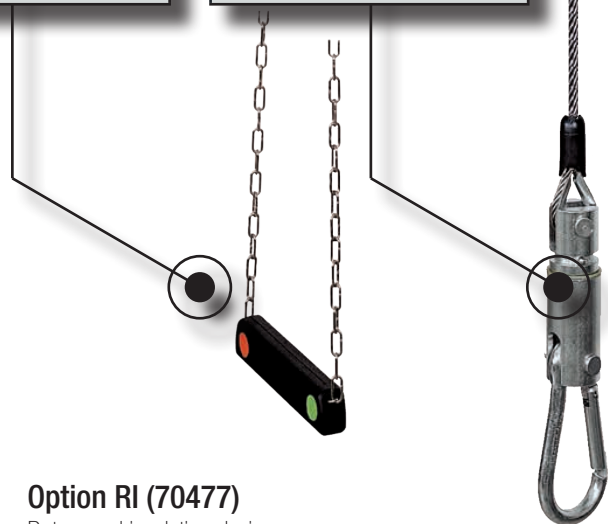
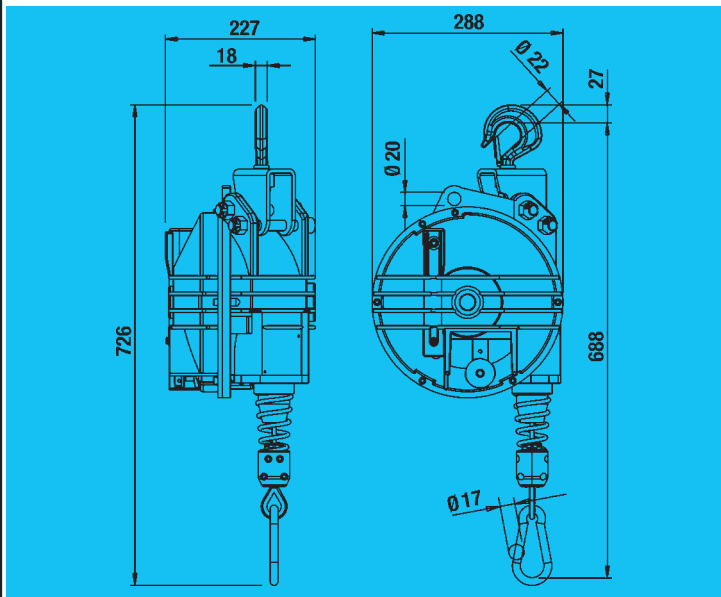


- Ribbed and sealed construction in aluminium alloy
- Stainless steel rope
- Adjustable capacity by worm screw
- Safety suspension
- Safety device against load dropping due to the spring breakage (capacity >3kg)
- Centrifugal safety device
- Upper rotary suspension with safety hook
- Locking device to block the load at any height
- Adjustable stroke limiting device
- Taper drum rotating on ball bearings
- Cable guide in antifriction material
- Rotary upper hook with ball bearing
- Lining up top hook
- Visible cable to aid inspection
- Inert spring drum assembly
- Option - B/B1 - Floor control locking device
- Option RI - Rotary insulated hook



**Option B (70084)**

**Option RI (70477)**



**Option RI (70477)**

Rotary and insulating device.

**Option B (70084)**

Locking-unlocking device with control from the floor.

Item	9401	9402	9403	9404	9405
kg	15 - 20	20 - 30	30 - 40	40 - 50	50 - 60
kg	19,67	21,11	21,11	22,03	23,07

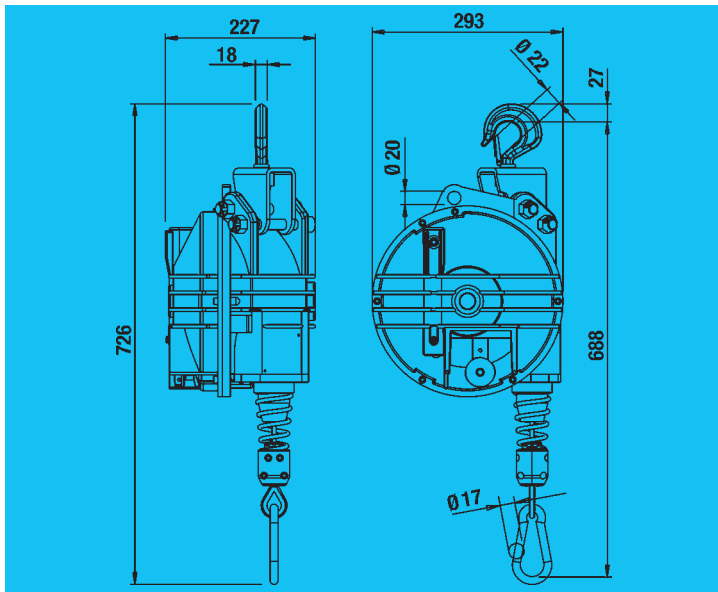
	9431	9432	9433
kg	15 - 20	20 - 25	25 - 35
kg	19,67	19,67	21,11

## 9401G - 9405G 9431G - 9433G

	Aluminium/Rubber	
	2500 mm	9401G - 9405G
	3000 mm	9431G - 9433G
	Stainless Steel	
	15 - 60 kg	



- Ribbed and sealed construction in aluminium alloy with rubber protection
- Stainless steel rope
- Adjustable capacity by worm screw
- Safety suspension
- Safety device against load dropping due to the spring breakage (capacity >3kg)
- Centrifugal safety device
- Upper rotary suspension with safety hook
- Locking device to block the load at any height
- Adjustable stroke limiting device
- Taper drum rotating on ball bearings
- Cable guide in antifriction material
- Rotary upper hook with ball bearing
- Lining up top hook
- Visible cable to aid inspection
- Inert spring drum assembly
- Option - B/B1 - Floor control locking device
- Option RI - Rotary insulated hook



Item	9401G	9402G	9403G	9404G	9405G
kg	15 - 20	20 - 30	30 - 40	40 - 50	50 - 60
kg	20,75	22,19	22,19	23,12	24,15

9431G	9432G	9433G
15 - 20	20 - 25	25 - 35
20,75	20,75	22,19