

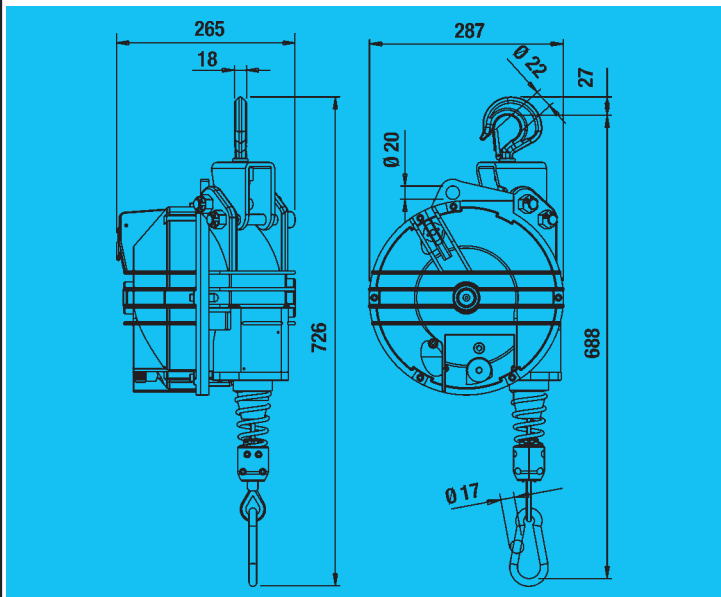
9411 - 9414

9434 - 9444

	Aluminium	
	2500 mm	9411 - 9414
	3000 mm	9434 - 9444
	Stainless Steel	
	35 - 100 kg	



- Ribbed and sealed construction in aluminium alloy
- Stainless steel rope
- Adjustable capacity by worm screw
- Safety suspension
- Safety device against load dropping due to the spring breakage (capacity >3kg)
- Centrifugal safety device
- Upper rotary suspension with safety hook
- Locking device to block the load at any height
- Adjustable stroke limiting device
- Taper drum rotating on ball bearings
- Cable guide in antifriction material
- Rotary upper hook with ball bearing
- Lining up top hook
- Visible cable to aid inspection
- Inert spring drum assembly
- Option - B/B1 - Floor control locking device
- Option RI - Rotary insulated hook



Item	9411	9412	9413	9414
kg	60 - 70	70 - 80	80 - 90	90 - 100
kg	25,56	26,75	27,90	28,46

9434	9435	9436	9441	9442	9443	9444
35 - 45	40 - 50	50 - 60	60 - 70	70 - 80	80 - 90	90 - 100
24,46	23,64	24,69	25,56	26,75	27,90	28,46

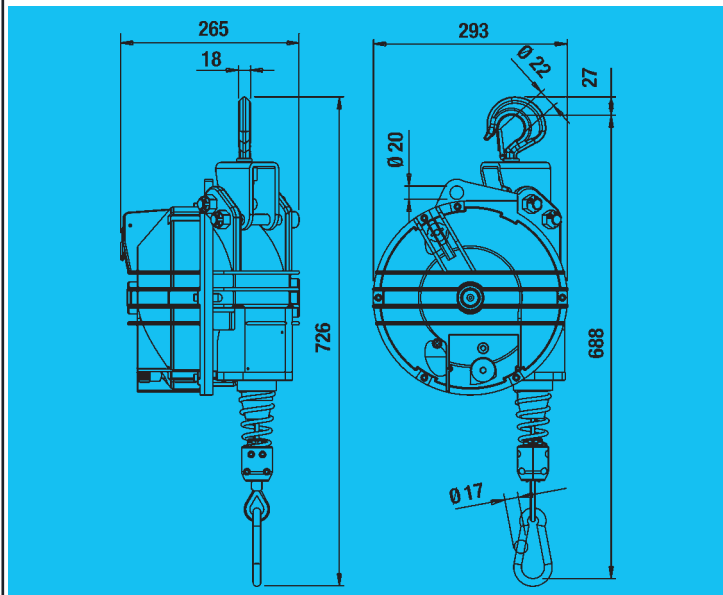
9411G - 9414G

9434 G- 9444G

	Aluminium/Rubber	
	2500 mm	9411G - 9414G
	3000 mm	9434G - 9444G
	Stainless Steel	
	35 - 100 kg	



- Ribbed and sealed construction in aluminium alloy with rubber protection
- Stainless steel rope
- Adjustable capacity by worm screw
- Safety suspension
- Safety device against load dropping due to the spring breakage (capacity >3kg)
- Centrifugal safety device
- Upper rotary suspension with safety hook
- Locking device to block the load at any height
- Adjustable stroke limiting device
- Taper drum rotating on ball bearings
- Cable guide in antifriction material
- Rotary upper hook with ball bearing
- Lining up top hook
- Visible cable to aid inspection
- Inert spring drum assembly
- Option - B/B1 - Floor control locking device
- Option RI - Rotary insulated hook



Item	9411G	9412G	9413G	9414G
kg	60 - 70	70 - 80	80 - 90	90 - 100
kg	26,79	27,98	29,13	29,69

9434G	9435G	9436G	9441G	9442G	9443G	9444G
35 - 45	40 - 50	50 - 60	60 - 70	70 - 80	80 - 90	80 - 100
25,69	24,88	25,91	26,79	27,98	29,13	29,69