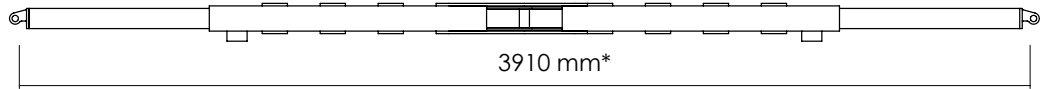
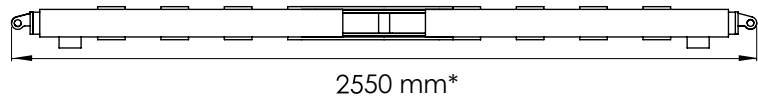
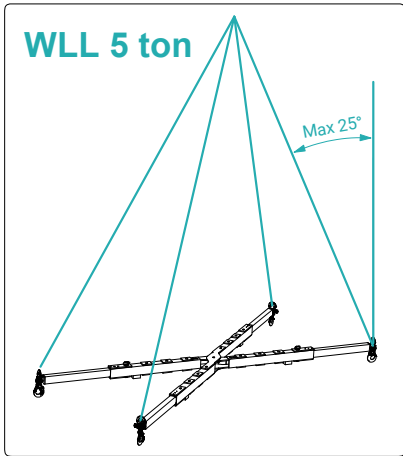


alux⁵



Max Load: 5 ton
Material: Aluminium
Weight: 35 kg

*Measured from end of lifting lug to end of lifting lug

For larger lifting angles the maximum load needs to be limited as follows:

- 30° = 4.1tn max.
- 35° = 3.4tn max.
- 40° = 2.8tn max.
- 45° = 2.4tn max.

