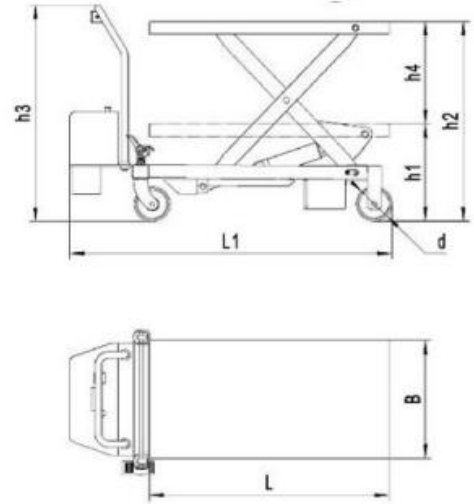


ETF50 – 500 Kgs Electric Lift Table.



Capacity	Kg	500
Max. Table Height – h2 / Min. Table Height -h1	mm	1025 / 440
Dimension of Table Size – L*B	mm	1010x520x50
Caster Wheel -d	mm	Ø150x48
Overall Length – L1	mm	1305
Height of Handle from Ground – h3	mm	970
Lifting Speed with Load / without Load	mm/s	65/94
Lowering Speed with Load / without Load	mm/s	98/74
Lifting Cycle (Fully Charged)		100
Battery x2		12v21Ah
Vertical Travel – h4	mm	585
Lifting Motor (DC24V KW)		0.8
Charger (built-in) 24V4A		8.5Hr
Approx. Lifting Speed	s	10
Net Weight	Kg	157