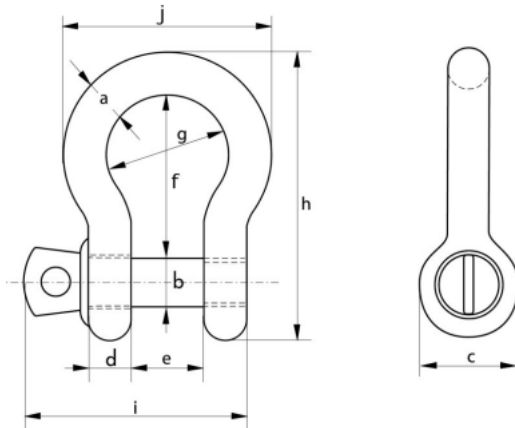


Green Pin Screw Pin BOW Shackle

- GPSPB Series



WLL	Diameter	Diameter	Diameter	Width	Width	Length	Width	Length	Length	Width
	Bow	Pin	Eye	Eye	Inside	Inside	Bow		Bolt	
	a	b	c	d	e	f	g	h	i	j
t	mm	mm	mm	mm	mm	mm	mm	mm	mm	mm
0.33	5	6	12	5	9.5	22	16	36	29.5	26
0.5	7	8	16.5	7	12	29	20	48.5	38	34
0.75	9	10	20	9	13.5	32	22	56	46.5	40
1	10	11	22.5	10	17	36.5	26	63.5	54	46
1.5	11	13	26.5	11	19	43	29	74	59.5	51
2	13.5	16	34	13	22	51	32	89	73	58
3.25	16	19	40	16	27	64	43	110	89	75
4.75	19	22	46	19	31	76	51	129	103	89
6.5	22	25	52	22	36	83	58	144	119	102
8.5	25	28	59	25	43	95	68	164	137	118
9.5	28	32	66	28	47	108	75	185	153	131
12	32	35	72	32	51	115	83	201	170	147
13.5	35	38	80	35	57	133	92	227	186	162
17	38	42	88	38	60	146	99	249	203	175
25	45	50	103	45	74	178	126	300	243	216
35	50	57	111	50	83	197	138	331	272	238
42.5	57	65	130	57	95	222	160	377	310	274
55	65	70	145	65	105	260	180	433	344	310

