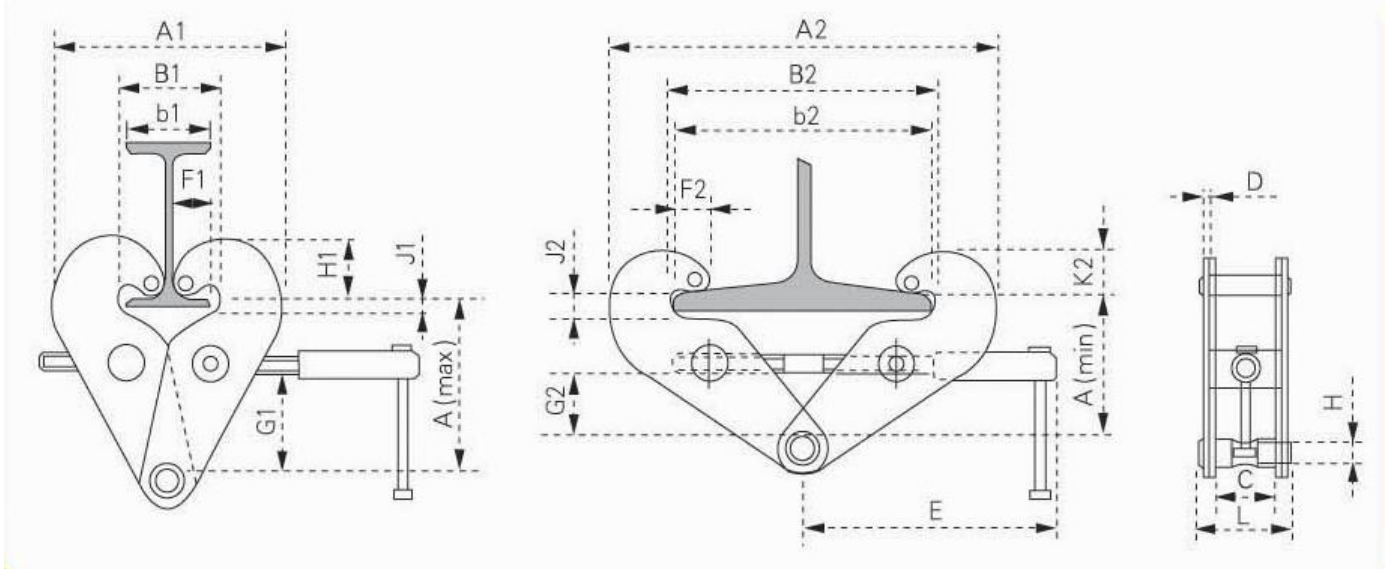


Fixed Beam Clamp

- HBC Series





Model	Capacity (kg)	Beam Flange Width (mm)	Amin (mm)	Amax (mm)	B1 (mm)	B2 (mm)	A1 (mm)	A2 (mm)	b1 (mm)	b2 (mm)	C (mm)	D (mm)	E (mm)
BC10	1000	75-230	116	151	78	247	186	350	75	230	50	4	215
BC20	2000	75-230	116	151	78	247	186	350	75	230	50	6	215
BC30	3000	80-322	180	225	80	322	232	455	80	322	70	8	255
BC50	5000	90-322	180	225	90	322	242	445	90	312	70	10	255
BC100	10000	90-322	176	221	90	322	268	480	90	322	70	12	275

Model	F1 (mm)	F2 (mm)	G1 (mm)	G2 (mm)	H (mm)	J1 (mm)	J2 (mm)	K1 (mm)	K2 (mm)	L (mm)	Net Weight (Kg)
BC10	34	17	83	45	20	14	21	48	31	84	3.9
BC20	35	18	83	45	20	14	21	50	32	94	4.7
BC30	35	21	121	76	22	30	34	60	40	122	9.2
BC50	35	21	117	76	28	30	34	60	42	129	11
BC100	35	20	111	67	38	34	35	60	40	146	17.5



