



cromox[®]
THE NEW DIMENSION OF STAINLESS



Hoist Trolley CHT

cromox[®] products are manufactured by KETTEN WÄLDER in Germany using the highest quality of corrosion resistant raw materials. They select the highest and purest materials and manufacture all products on the most modern machinery.

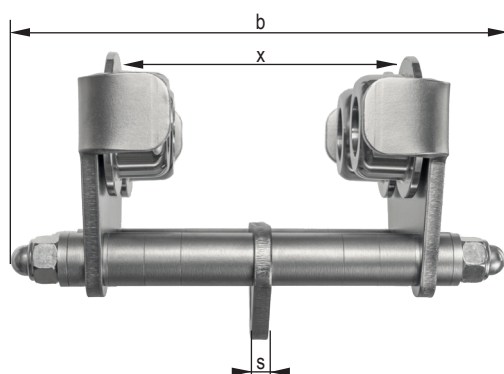
The **cromox**[®] range of products use the highest levels of design, materials, and manufacturing processes to produce the best performing products for use in the harshest environments.

cromox[®] products are durable and with controlled levels of Chromium and Nickel it produces a passive layer of chromium oxide that increases the corrosion resistance.

Our stringent testing procedures ensure our products are manufactured to the highest quality. This makes us the market leaders in product development for stainless steel lifting products.

KETTEN WÄLDER are Lloyds Register approved manufacturers with LR certified proofing Laboratory and full members of LEEA.

Hoist-Trolley



Type	WLL (t)	Dimensions (mm)								Weight (kg, approx.)
		a	x	b	c	d	e	f	s	
CHT	0.63 - 2.00	210	x	x + 100	164	40	28	11	10	7.0 - 8.5

Ambient temperature: -40 to +60 °C

Application in corrosive environment possible

Maximum relative humidity: 100 %

Application in ex zone after consultation with manufacturer

Tested acc. to DIN EN 13157

Prices upon request