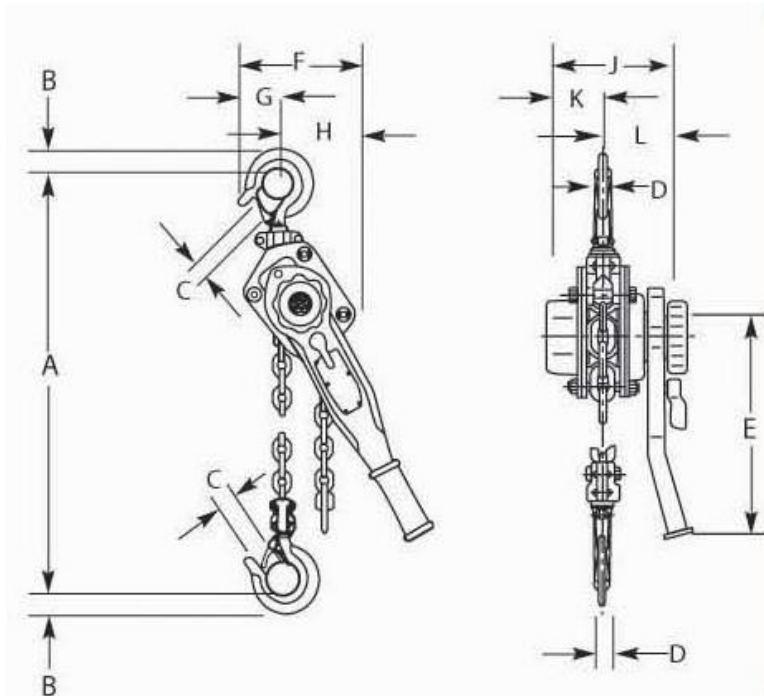


Ratchet Lever Hoist

- LW Series





Model	Rated Capacity (kg)	Standard Lifting Height (m/foot)	Effort to Rated Capacity (N)	Dia. of Load Chain	Net Weight (kg)	Dimensions (mm)										
						A	B	C	D	E	F	G	H	J	K	L
LW75-5	750	1.5/5	150	6x18	6.8	321	23.8	28.5	17.5	279	111	56	56	151	60	90
LW100-5	1000	1.5/5	160	6x18	7.1	328	25.6	29.5	18.6	279	111	58	56	151	60	90
LW150-5	1500	1.5/5	230	8x24	12.2	376	28.6	31.8	20.6	413	121	60	60	175	76	100
LW200-5	2000	1.5/5	250	8x24	12.8	385	32.5	33.5	22.8	413	121	65	60	175	76	100
LW300-5	3000	1.5/5	350	10x30	20.4	475	42.9	39.7	31.8	413	191	86	106	200	86	116
LW600-5	6000	1.5/5	370	10x30	25.1	495	50.8	43	34.5	413	191	94	106	200	86	116
LW75-10	750	3/10	150	6x18	7.9	321	23.8	28.5	17.5	279	111	56	56	151	60	90
LW100-10	1000	3/10	160	6x18	8.2	328	25.6	29.5	18.6	279	111	58	56	151	60	90
LW150-10	1500	3/10	230	8x24	14.2	376	28.6	31.8	20.6	413	121	60	60	175	76	100
LW200-10	2000	3/10	250	8x24	14.8	385	32.5	33.5	22.8	413	121	65	60	175	76	100
LW300-10	3000	3/10	350	10x30	23.5	475	42.9	39.7	31.8	413	191	86	106	200	86	116
LW600-10	6000	3/10	370	10x30	31	495	50.8	43	34.5	413	191	94	106	200	86	116

