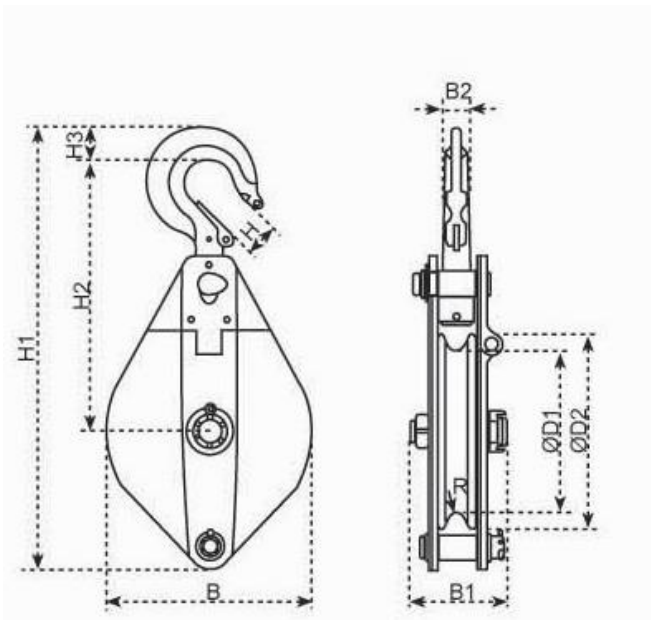


## Pulley Block

- PB Series



Model	Working Load (tonne)	Hook Hatch H (mm)	Rope $\phi$ (mm)	Dimensions (mm)								
				B	B1	B2	H1	H2	H3	D1	D2	R
<b>PB10</b>	1.0	23	$\phi 7$	118	76	17	305	200	23	85	105	4
<b>PB20</b>	2.0	27	$\phi 13$	119	92	24	425	263	30	150	190	7
<b>PB32</b>	3.2	31	$\phi 15$	230	108	28	496	295	40	180	220	9
<b>PB64</b>	6.4	42	$\phi 18$	270	116	35	655	375	47	210	260	10

