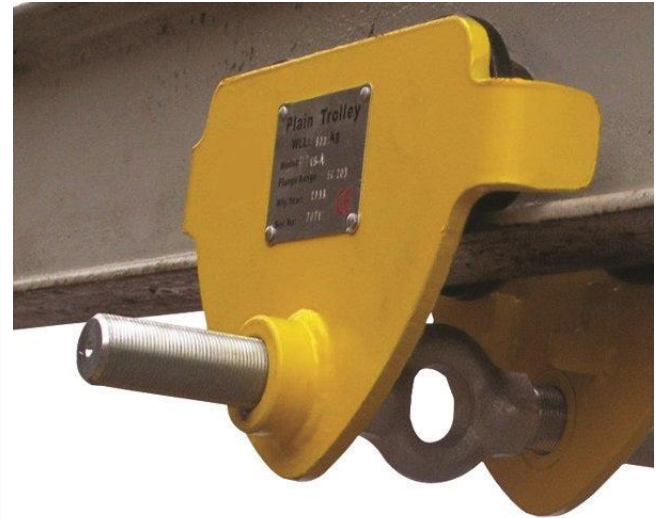
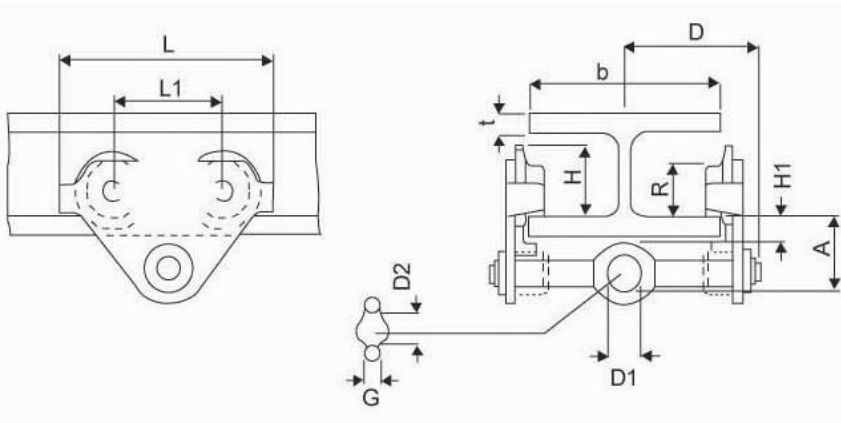


Push Travel Trolley | Screw Bar Type

- PT Series



Model	Capacity (Kgs)	Beam Flange With b (mm)	Beam Flange Thickness t (mm)	A (mm)	G (mm)	D1 (mm)	D2 (mm)	H (mm)	H1 (mm)	L (mm)	L1 (mm)	R (mm)	D (mm)
PT05A	500	50-220	25	81.5	12	25	30	30	39.5	199	100	55	140
PT10A	1000	50-220	25	96	16	30	36	36	44	246	120	68	151
PT20A	2000	66-220	25	102.5	20	40	48	48	34	276	132	80	157
PT30A	3000	74-220	25	128	24	46	58	58	46	332	155	100	164
PT50A	5000	90-200	25	133.5	28	52	65	65	40.5	377	168	110	173

