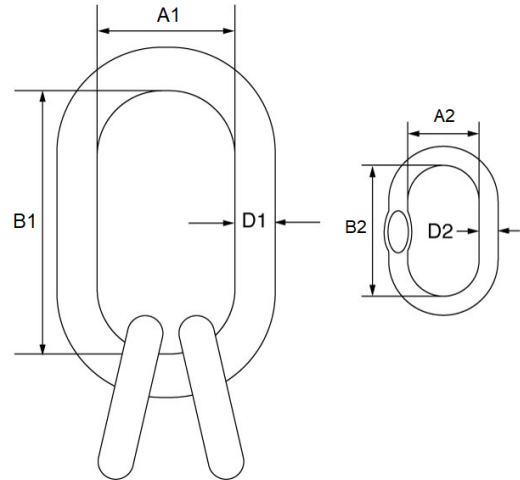


# Grade 8 Quad Link.

▪ Model: T-032



### Features:

- All TITAN grade 8 components fully comply with the relevant section of EN1677.
- Complying with EN1677 allow the TITAN components to be used in EN818-4 chain slings.
- Forged with special alloy steel which offers high intensity & toughness, and then it is heat treated.
- Proof load tested to 2.5 times of working load limit.
- Sampling and 20000 times of fatigue testing.
- Strict sampling and breakage testing for each batch of products.
- 100% magnetic powder flaw detection.
- Temperature range of -40°C to +200°C.

Part Code	ChainØ (mm)	A1 (mm)	B1 (mm)	D1 (mm)	A2 (mm)	B2 (mm)	D2 (mm)	WLL (t)	Weight (kg)
	Three or Four Leg								
T-032/6	6	135	75	18	54	25	13	2.36	1.18
T-032/7	7	135	75	18	60	38	13	3.15	1.24
T-032/8	8	160	90	22	70	34	16	4.25	2.2
T-032/10	10	180	100	26	85	40	18	6.7	3.4
T-032/13	13	200	110	32	115	50	22	11.2	6.1
T-032/16	16	260	140	36	140	65	26	17	9.98
T-032/18	18	340	180	45	180	100	32	21.2	18.9
T-032/20	20	350	190	50	180	100	32	26.5	22.6
T-032/22	22	350	190	50	180	100	36	31.5	25.2
T-032/26	26	400	200	56	180	100	40	45	35.2
T-032/32	32	460	250	72	200	110	50	63	66.46



sales@ukliftingstore.co.uk



0121 368 0662



www.ukliftingstore.co.uk