

Ultralift TP Magnetic Lifter

Designed for Thin Plate Lifting

Why Thin Plate Magnetic Lifter?

Thin plate cannot accept the magnetism from standard lifting magnets.

Using standard magnetic lifter on thin plate results in:

- Dramatically reduced performance
- Picking up sheets in multiples rather than separately
- Un-safe lifts

Ultralift TP offers:

- A lifting magnet designed for lifting thin plate safely
- SWL based on material thickness
- Guaranteed lifting of single plates
- Simple, quick operation
- Two sizes in the range: TP150 and TP300.
- Larger plates can be lifted using two lifting magnets on a spreader beam



OPERATING INSTRUCTIONS



The lifter is in the OFF position



To Switch the lifter ON

Rotate the handle 120° anti-clockwise. Ensure the lever is securely locked in place before commencing with the lift.



The lifter is in the ON position



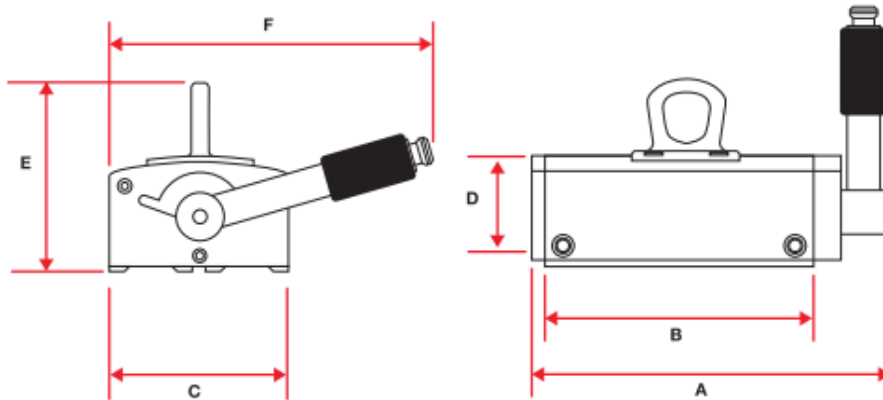
To Switch the lifter OFF

Return the load to the floor or support.
Depress the plunger on the handle and rotate 120° clockwise to its stop position.



Release the plunger to complete the switching process





Product Information

Product	Unit Weight kg	Material Thickness								Dimensions mm					
		5mm		6mm		8mm		10mm		A	B	C	D	E	F
		Safe Working Load kg	Length Max. mm	Safe Working Load kg	Length Max. mm	Safe Working Load kg	Length Max. mm	Safe Working Load kg	Length Max. mm						
TP150	8	75	1500	100	1500	150	1500	200	1500	202	150	100	74	126	181
TP300	15	150	2000	200	2000	300	2000	400	2000	352	300	100	74	126	181