

Ultralift Plus Lifting Magnet

Manually operated lifter with 'Safety Shim'

The Ultralift Plus range of manual lifters provides the safest magnetic lifting available. This range of lifters offers an excellent performance to weight ratio. This is achieved using high-energy neodymium magnets, arranged in an efficient magnetic circuit, to give a superb holding force, providing a safe, reliable lift.

Safety shim

The Eclipse Magnetics Ultralift Plus is the only permanently magnetic lifting magnet to be supplied with a 'Safety Shim'. The 'Safety Shim' allows the user to undertake a safety test prior to the lift. This is fast, effective and guarantees a safe lift factor of 3:1.

Safety interlock

Prevents the accidentally switching the magnet off: once under load, the interlock mechanism prevents the operating handle being moved to the off position.

Hand break release

The magnet can easily be released using one hand.

Suitable for

Ferrous sheet/plate - thicknesses greater than 20mm maximum weight of 2000kg.

Ferrous round bar - up to 600mm diameter maximum weight of 800kg.

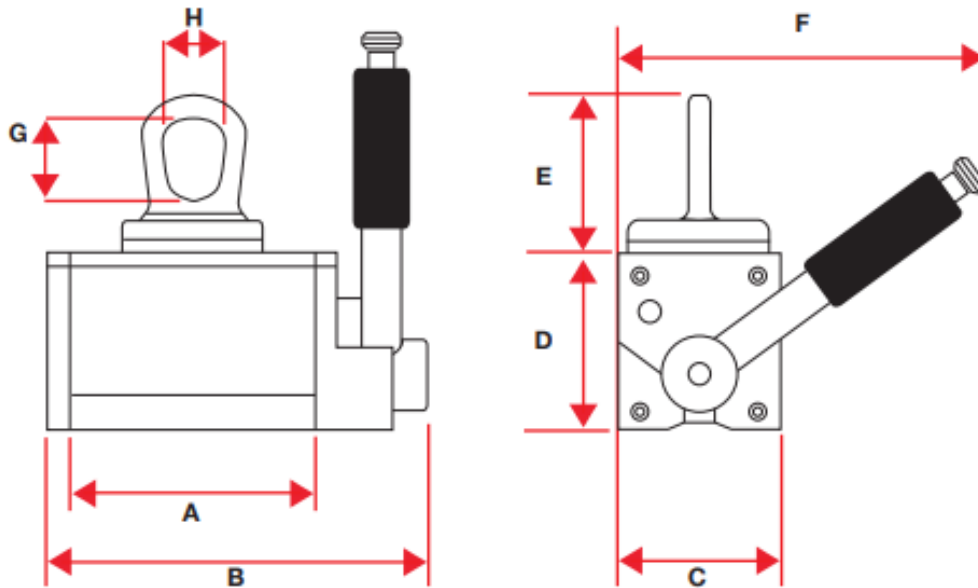
Suitable locations

Machine shops, fabrication shops, steel stockholders, manufacturers.

Benefits

- Easy to install.
- Simple one-man operation.
- No power required.
- Load surface not marked.
- High performance magnet material providing high performance at a lower weight.
- Saves space as access is only needed to the top of the load.
- 3 safety mechanisms ensure safe lifting.





Product Information

Product	Self Weight kg	Flat Section			Round Section			Dimensions mm							
		SWL + kg	Thickness Min. mm	Length Max. mm	SWL kg	Diameter Max. mm	Length** Max mm	A	B	C	D	E	F	G	H
UL0125+	4	125	20	1500	50	200	1500	101	155	69	74	64	152	34	27
UL0250+	11	250	25	1500	100	300	1500	155	214	92	96	96	218	51	40
UL0500+	27	500	30	2000	200	400	2000	224	300	122	128	124	266	63	49
UL1000+	63	1000	45	3000	400	450	3000	260	359	176	174	140	382	71	55
UL2000+	157	2000	55	3000	800	600	3000	368	477	233	227	175	552	102	79

*Safe working load

⚠️**The maximum stated length on Diameter is not at the maximum Diameter (Always work within stated SWL)



sales@ukliftingstore.co.uk



0121 368 0662



www.ukliftingstore.co.uk

Performance

SWL performance criteria Flat ground mild steel plate of thickness, equal to or greater than the specified minimum thickness

Magnetic material Rare earth neodymium iron boron

Temperature -10°C (14°F) / +80°C (176°F)

Maximum humidity 80%

Materials

End plates Aluminium - painted

Housing Mild steel

Pole feet Mild steel - plated

Conformity

The Ultralift Plus range conforms to the following:

Machinery Directive 98/37/CE

BS EN ISO12100-1 Basic Engineering Principles

BS EN 13155:2003 Cranes safety: non-fixed load lifting attachments

SS7665601 Swedish standards for magnetic lifting devices

ASME B30.20

