

## Tiger Universal Beam Clamp Model No. BCU



### Main Features

- Full rated capacity at any lifting angle
- 2.0t, 3.0t, 5.0t and 10.0t capacities available
- \*NEW\* 10t deep flange option (to 40mm)
- Quick and versatile rigging point for hoisting equipment
- Low headroom design
- Highly flexible – for lifting, pulling or as a semi-permanent anchor point
- Designed for both vertical and side loading applications - can be loaded at any angle
- Suitable for pulling and lifting at angles across the beam
- Designed to accommodate a wide range of beam widths
- Multidirectional adjusting screw spindle ensures a high clamping force to beam web
- Operating temperature -40°C to +80°C (temperature range of -60°C to +80°C available as an option)
- Factor of safety: 5:1 for straight pulling and lifting, 4:1 at all other angles
- Complies with ASME B30.20 and EN13155 :2003+A2 :2009

The Tiger Universal Beam Clamp Model No BCU has been designed not only for vertical use, but also for side load applications, where conventional clamps are not suitable. This clamp is highly flexible in application and can be used for lifting, pulling or as a semi-permanent anchor point. It can be loaded at any angle and eliminates the use of spreader beams in various lifting operations.

**Warning:** Do not exceed working load limits or use this equipment for lifting flat plate sections

### Certification:

Each unit comes fully certified with a test certificate or an EC Declaration of Conformity stating compliance with the essential health and safety requirements of the Machinery Directive 2006/42/EC.

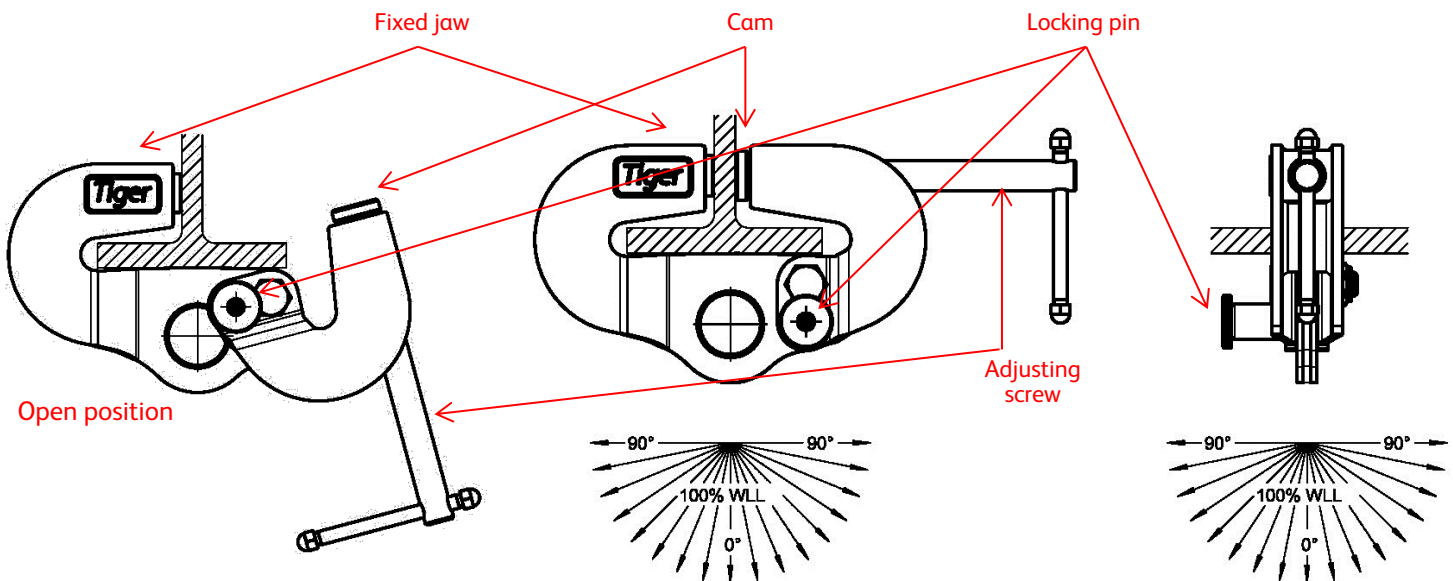
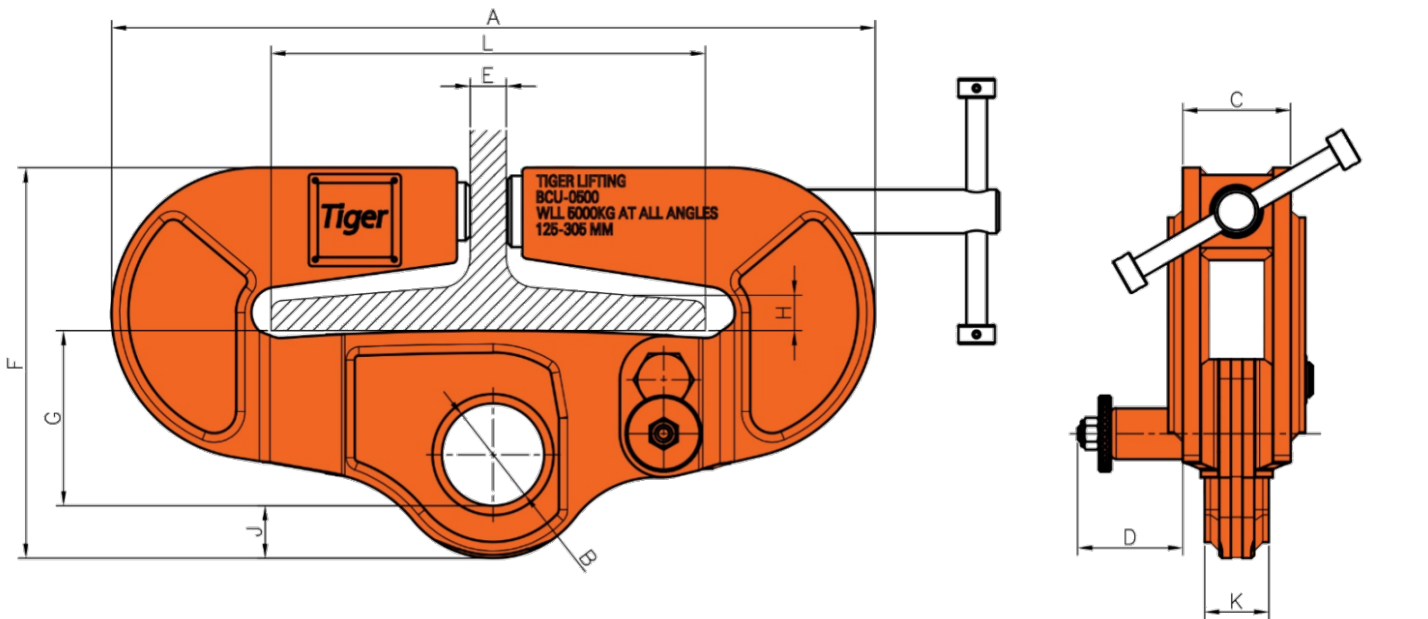
We hold complete technical files for our products to provide full back-up and reassurance on our products' performance and to ensure that advice for our equipment is readily available.

### Technical Data

Product Code	Capacity (tonne)	Dimensions (mm)											Net Weight (kg)
		A	B	C	D	E	F	G	H	J	K	L	
BCU-0200	2.0	337	58	60	68	32	203	88.5	25.5	22.5	20	76-190	10.0
BCU-0300	3.0	387	60	70	63	32	235	100	25.5	28	20	125-204	15.5
BCU-0500	5.0	524	70	74	72	32	268	120	25.5	36	44	125-305	27.0
BCU-1000	10.0	524	70	75.5	82	32	278	120	25.5	38	51.5	125-305	31.0
BCU-100D	10.0	539	76	75.5	82	47	286	120	40	38	51.5	125-305	33.0

E=maximum beam web thickness

H=maximum beam flange thickness



Due to our policy of continual product development, dimensions, weights and specifications may change without prior notice. Please check with your Tiger sales team when ordering.

Bespoke designs available on request – contact [info@tigerlifting.com](mailto:info@tigerlifting.com) for more information.